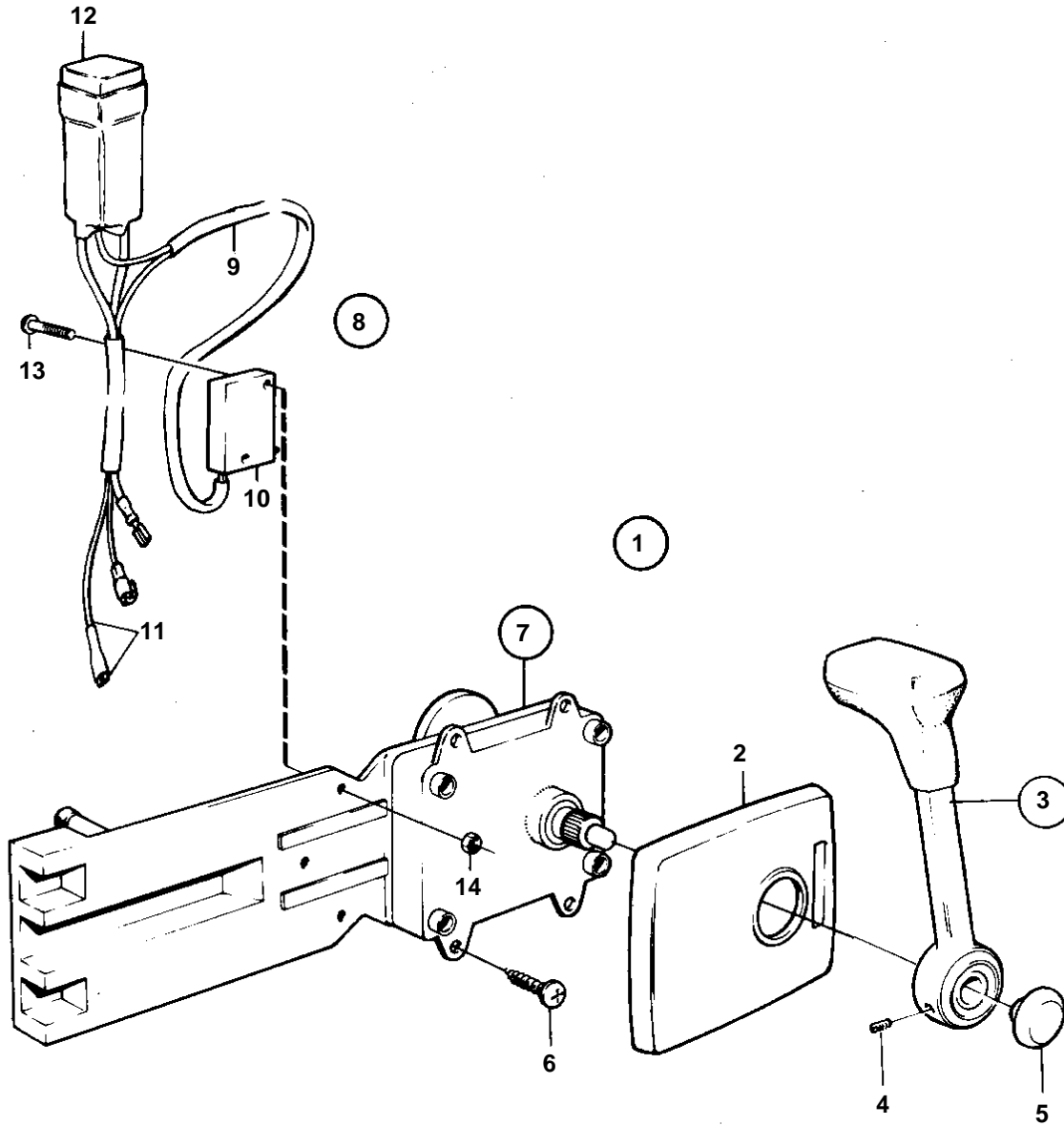


AQ200D, AQ200F



7999

AQ200D, AQ200F

REF	PART NO.	QTY	DESCRIPTION	SEE SEC.	NOTES
1	853102	1	Mounting kit		
2	839518	1	· Cover		
3		1	· Lever		
				17140	
4	963678	1	· Hex. socket screw		
5	853004	1	· Push button		
6	955142	4	· Cross recessed screw		
7	851601	1	Control		
				17141	
8	855352	1	Neutral position con		
9		1	· Cable kit		
10	850200	1	· Toggle switch		
11		X	· CABLES AND TERMINALS		SEE GROUP 3
12	1501832	1	· Relay		
13	946177	2	· Cross recessed screw		
14	947536	2	Hexagon nut		